

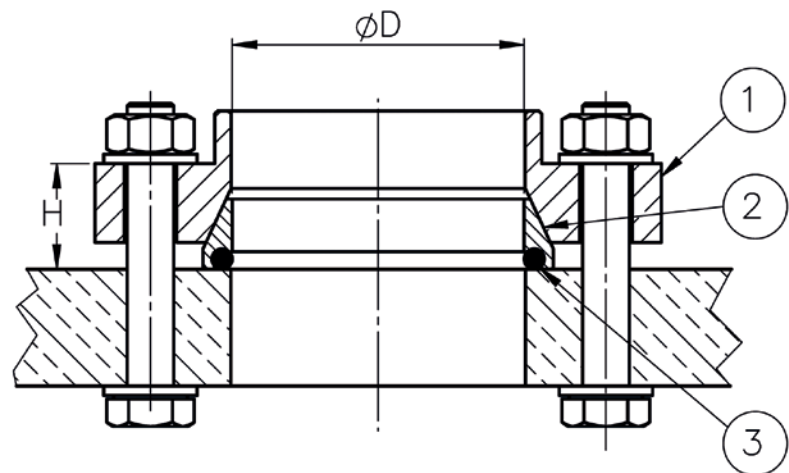
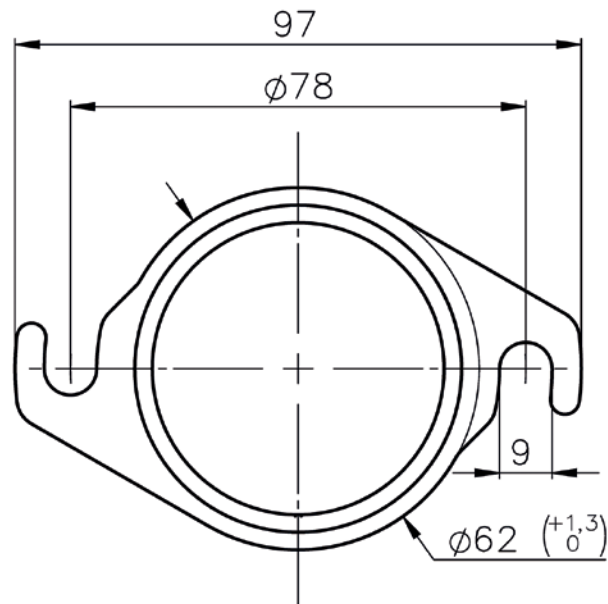
Haltering Typ 6030

- 2 Befestigungspunkte
- Bajonett
- Dichtmaterial: HNBR

Clamping flange type 6030

- 2 fixing points
- bayonet
- sealing material: HNBR

6



D		Position 1 Spannring Flange		Position 2 Klemmring Clamping ring		Position 3 Dichtung Seal		Pos. 1-3 Komplett Complete Set
(mm)	(mm)	Material	Art.-Nr. Item No.	Material	Art.-Nr. Item No.	Material	O-Ring	Art.-Nr. Item No.
40	≈18	Stahl, verzinkt / steel, galvanized	69002200	Messing / brass	69000600	HNBR	99901921	60304000
42	≈18	Stahl, verzinkt / steel, galvanized	69002200	Messing / brass	69000500	HNBR	99901922	60304200
50	≈18	Stahl, verzinkt / steel, galvanized	69002200	Messing / brass	69002100	HNBR	99901900	60305000