

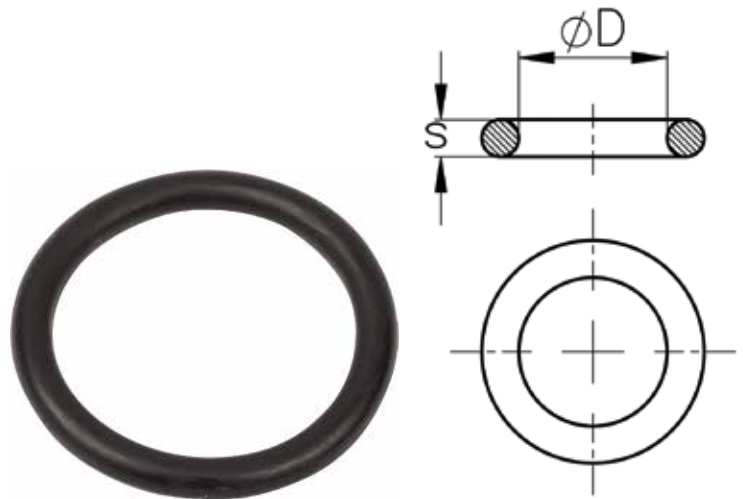
Dichtungen Seals

Dichtungen zur statischen oder dynamischen Abdichtung von Bauteilen in unterschiedlichen Werkstoffen.

Seals for static or dynamic sealing of components in different materials.

O-Ring

- bevorzugt zur statischen Abdichtung geeignet
- preferably suitable for static sealing



| Abmessung Dimension | | Artikel-Nr. / Item No. | | | | |
|------------------------|------|---------------------------|------|----------|----------|----------|
| D | s | Werkstoff Material | | | | |
| | | NBR | HNBR | EPDM | FKM | FEKM |
| 2,3 | 1,78 | - | - | 99900214 | - | 99900213 |
| 3,3 | 2,38 | - | - | - | - | 99900147 |
| 5 | 1,5 | 99900515 | - | - | - | - |
| 6 | 2 | - | - | - | 99900176 | 99900178 |
| 7,59 | 2,62 | - | - | - | 99900148 | 99900150 |
| 10 | 3 | 99903700 | - | 99905500 | 99903701 | - |
| 10,77 | 2,62 | 99900139 | - | 99900141 | 99900140 | - |
| 12 | 2 | - | - | 99905601 | - | - |
| | 3 | - | - | 99905600 | - | - |
| 12,37 | 2,62 | - | - | - | 99900142 | - |
| 18 | 1 | 99913900 | - | - | - | - |
| | 2 | 99913905 | - | - | - | - |
| 18,72 | 2,62 | - | - | 99901040 | 99901041 | - |
| 19 | 2 | 99900143 | - | - | 99900151 | - |
| 20,72 | 2,62 | 99900165 | - | - | - | - |
| 21 | 2 | 99902000 | - | - | - | - |
| | 1,5 | 99911201 | - | - | - | - |
| 22 | 2,5 | 99900184 | - | - | - | - |
| | 3 | 99900144 | - | - | 99900217 | - |

Die Tabelle wird auf Seite 10-4 fortgesetzt

Fortsetzung - O-Ring

| Abmessung Dimension | | Artikel-Nr. / Item No. | | | | |
|------------------------|------|---------------------------|----------|----------|----------|----------|
| D | s | Werkstoff Material | | | | |
| | | NBR | HNBR | EPDM | FKM | FEKM |
| 23,39 | 3,53 | 99900145 | - | - | - | - |
| 23,47 | 2,62 | - | - | 99900210 | - | - |
| 24 | 1,5 | - | - | - | 99900185 | 99900190 |
| 25 | 3 | 99910200 | - | - | - | - |
| 26 | 3 | 99900186 | - | - | - | - |
| 27 | 2 | 99912800 | - | - | - | - |
| | 2,5 | 99904810 | - | - | - | - |
| 28 | 2 | - | - | 99900183 | 99900174 | - |
| | 3 | 99910300 | - | - | 99910310 | - |
| | 4 | 99902500 | - | - | 99911401 | - |
| 29,82 | 2,62 | 99900192 | - | - | - | - |
| 30 | 3 | 99910400 | - | - | - | - |
| 32 | 3 | 99902600 | - | - | - | - |
| 32,92 | 3,53 | 99900304 | - | - | - | - |
| 32,99 | 2,62 | - | - | - | 99900177 | - |
| | 2,5 | - | - | - | 99910505 | - |
| 33 | 3 | 99910500 | - | - | 99901923 | - |
| | 5 | - | - | 99904400 | 99904401 | - |
| 36 | 2 | 99900182 | - | - | 99900303 | - |
| | 3 | - | - | - | 99900302 | - |
| | 5 | - | - | - | 99904402 | - |
| 37,82 | 1,78 | 99901600 | - | - | - | - |
| 38 | 5 | - | - | 99902900 | - | - |
| | 3 | - | 99900180 | - | 99900517 | - |
| 40 | 5 | 99903000 | 99901921 | - | - | - |
| | 2,62 | - | - | - | 99904801 | 99904804 |
| 42 | 2 | - | - | - | 99904805 | - |
| | 3,5 | 99906400 | - | - | 99901010 | - |
| | 5 | 99903100 | 99901922 | - | 99903105 | - |
| 46 | 2 | 99903101 | - | - | - | - |
| 48 | 1,5 | 99900516 | - | - | - | - |
| | 2,5 | 99904806 | - | 99904802 | - | - |
| | 2,5 | 99906100 | - | - | - | - |
| 50 | 3 | 99901910 | - | - | - | - |
| | 3,5 | - | 99901900 | - | - | - |
| | 4 | 99905901 | - | - | - | - |
| | 5 | - | 99901700 | - | - | 99906000 |

Die Tabelle wird auf Seite 10-5 fortgesetzt

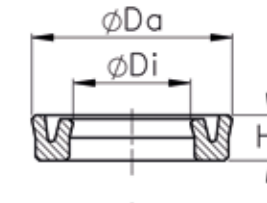
Fortsetzung - O-Ring

| Abmessung Dimension | | Artikel-Nr. / Item No. | | | | |
|------------------------|-----|---------------------------|------|------|----------|------|
| D | s | Werkstoff Material | | | | |
| | | NBR | HNBR | EPDM | FKM | FEKM |
| 52 | 2,5 | 99905050 | - | - | - | - |
| 54 | 3,5 | 99906300 | - | - | 99906301 | - |
| 58 | 3 | 99905000 | - | - | 99901924 | - |
| 60 | 3,5 | 99903300 | - | - | - | - |
| 64 | 3,5 | 99906320 | - | - | 99901925 | - |
| 80 | 3 | 99913500 | - | - | 99901926 | - |
| 90 | 3 | 99913400 | - | - | 99901927 | - |

Nutring
Lipseal

-einseitig dichtend
- one side sealing

| Di | Da | H | Werkstoff Material | Artikel-Nr. / Item No. |
|----|----|-----|-----------------------|---------------------------|
| 6 | 16 | 5 | NBR | 99904601 |
| 8 | 16 | 6 | NBR | 99904600 |
| 16 | 24 | 6,5 | HNBR | 99904000 |
| 16 | 26 | 6 | FKM | 99900104 |
| 20 | 26 | 6 | FKM | 99900215 |
| 30 | 40 | 6 | NBR | 99900216 |



Doppelnutring
Double lipseal

- beidseitig dichtend
- both sides sealing

| Di | Da | H | Werkstoff Material | Artikel-Nr. / Item No. |
|----|----|---|-----------------------|---------------------------|
| 10 | 16 | 6 | HNBR | 99015600 |
| | 20 | 6 | HNBR | 99017900 |
| 12 | 20 | 6 | HNBR | 99015700 |

