



Peter Kröner GmbH
Kirchstr. 1h
D-56412 Stahlhofen
Telefon +49 (0) 2602 5278
Telefax +49 (0) 2602 17992
www.peter-kroener.de
sales@peter-kroener.de

Lochdüse / Core Vent with holes

10.00.00.00
September 2016



		Bodenstärke / thickness	Material	Durchmesser / Diameter	Lochdurchmesser / hole diameter
11.10.03.10	Lochdüse / Core Vent with holes	1,0 mm	Aluminium	2 - 16 mm	0,3 mm
11.10.03.20	Lochdüse / Core Vent with holes	2,0 mm	Aluminium	3 - 30 mm	0,3 mm
11.10.04.10	Lochdüse / Core Vent with holes	1,0 mm	Aluminium	2 - 16 mm	0,4 mm
11.10.04.20	Lochdüse / Core Vent with holes	2,0 mm	Aluminium	3 - 30 mm	0,4 mm
11.10.05.10	Lochdüse / Core Vent with holes	1,0 mm	Aluminium	2 - 16 mm	0,5 mm
11.10.05.20	Lochdüse / Core Vent with holes	2,0 mm	Aluminium	2 - 30 mm	0,5 mm
11.10.05.40	Lochdüse / Core Vent with holes	4,0 mm	Aluminium	4 - 30 mm	0,5 mm
11.10.06.10	Lochdüse / Core Vent with holes	1,0 mm	Aluminium	2 - 16 mm	0,6 mm
11.10.06.20	Lochdüse / Core Vent with holes	2,0 mm	Aluminium	2 - 30 mm	0,6 mm
11.10.06.40	Lochdüse / Core Vent with holes	4,0 mm	Aluminium	3 - 30 mm	0,6 mm
11.10.08.10	STANDARD Lochdüse	1,1 mm	Aluminium	2 - 15 mm	0,8 - 1,0 mm
11.10.08.40	Lochdüse / Core Vent with holes	2,0 - 4,0 mm	Aluminium	2 - 30 mm	0,8 mm
11.10.08.70	Lochdüse / Core Vent with holes	7,0 - 8,0 mm	Aluminium	2 - 30 mm	0,8 mm
11.10.10.20	Lochdüse / Core Vent with holes	2,0 - 4,0 mm	Aluminium	10 - 30 mm	1,0 mm
11.10.10.70	Lochdüse / Core Vent with holes	7,0 - 8,0 mm	Aluminium	10 - 30 mm	1,0 mm
12.10.05.10	Lochdüse / Core Vent with holes	1,0 mm	Messing / Brass	2 - 16 mm	0,5 mm
12.10.05.20	Lochdüse / Core Vent with holes	2,0 mm	Messing / Brass	2 - 30 mm	0,5 mm
12.10.10.00	Lochdüse / Core Vent with holes	1,0 mm	Messing / Brass	2 - 15 mm	0,8 - 1,0 mm
12.10.08.40	Lochdüse / Core Vent with holes	2,0 - 4,0 mm	Messing / Brass	2 - 30 mm	0,8 mm

andere Ausführungen auf Anfrage
other types upon request

nicht alles aus Lagerbeständen lieferbar
not all in stock, delivery time upon request



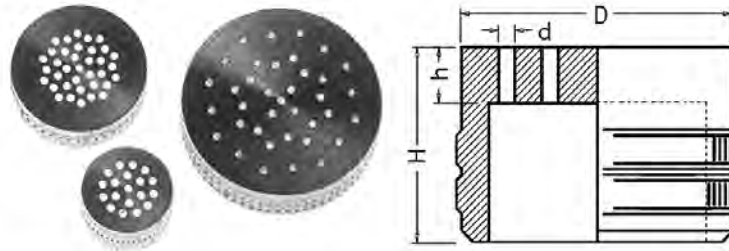
Peter Kröner GmbH
Kirchstr. 1h
D-56412 Stahlhofen
Telefon +49 (0) 2602 5278
Telefax +49 (0) 2602 17992
www.peter-kroener.de
sales@peter-kroener.de

Lochdüse / Core Vent with holes

11.10.03.10

September 2016

Material Aluminium
Durchmesser / Diameter 2 - 16 mm
Bodenstärke / thickness 1,0 mm
Lochdurchmesser / hole diameter 0,3 mm



Aluminum Core Vents / thickness 1,0 mm with 0,3 mm holes

Artikel-Nr. / #	D	d	H	h	Anz. Löcher	Beschreibung / description
11330210	2	0,3	7,0	1,0	1	AL-Lochdüse 2/1,0/1x0,3/7,0
11330310	3	0,3	7,0	1,0	3	AL-Lochdüse 3/1,0/3x0,3/7,0
11330410	4	0,3	7,0	1,0	4	AL-Lochdüse 4/1,0/4x0,3/7,0
11330511	5	0,3	7,0	1,0	12	AL-Lochdüse 5/1,0/12x0,3/7,0
11330611	6	0,3	7,0	1,0	16	AL-Lochdüse 6/1,0/16x0,3/7,0
11330811	8	0,3	7,0	1,0	24	AL-Lochdüse 8/1,0/24x0,3/7,0
11331010	10	0,3	7,0	1,0	24	AL-Lochdüse 10/1,0/24x0,3/7,0
11331012	10	0,3	7,0	1,0	52	AL-Lochdüse 10/1,0/52x0,3/7,0
11331213	12	0,3	7,0	1,0	40	AL-Lochdüse 12/1,0/40x0,3/7,0
11331214	12	0,3	7,0	1,0	72	AL-Lochdüse 12/1,0/72x0,3/7,0
11331313	13	0,3	7,0	1,0	40	AL-Lochdüse 13/1,0/40x0,3/7,0
11331314	13	0,3	7,0	1,0	72	AL-Lochdüse 13/1,0/72x0,3/7,0
11331414	14	0,3	7,0	1,0	72	AL-Lochdüse 14/1,0/72x0,3/7,0
11331513	15	0,3	7,0	1,0	72	AL-Lochdüse 15/1,0/72x0,3/7,0
11331514	15	0,3	7,0	1,0	100	AL-Lochdüse 15/1,0/100x0,3/7,0
11331614	16	0,3	7,0	1,0	100	AL-Lochdüse 16/1,0/100x0,3/7,0

andere Ausführungen auf Anfrage
other types upon request

nicht alles aus Lagerbeständen lieferbar
not all in stock, delivery time upon request

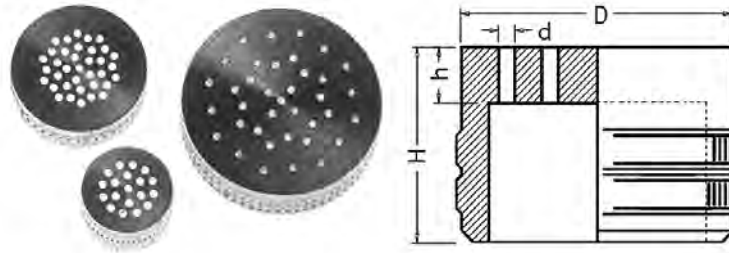


Peter Kröner GmbH
Kirchstr. 1h
D-56412 Stahlhofen
Telefon +49 (0) 2602 5278
Telefax +49 (0) 2602 17992
www.peter-kroener.de
sales@peter-kroener.de

Lochdüse / Core Vent with holes

Material Aluminium
Durchmesser / Diameter 3 - 30 mm
Bodenstärke / thickness 2,0 mm
Lochdurchmesser / hole diameter 0,3 mm

11.10.03.20
September 2016



Aluminum Core Vents / thickness 2,0 mm with holes 0,3 mm

Artikel-Nr. / #	D	d	H	h	Anz. Löcher	Beschreibung / description
11330320	3	0,3	7,0	2,0	3	AL-Lochdüse 3/2,0/3x0,3/7,0
11330420	4	0,3	7,0	2,0	4	AL-Lochdüse 4/2,0/4x0,3/7,0
11330521	5	0,3	7,0	2,0	12	AL-Lochdüse 5/2,0/12x0,3/7,0
11330621	6	0,3	7,0	2,0	16	AL-Lochdüse 6/2,0/16x0,3/7,0
11330821	8	0,3	7,0	2,0	24	AL-Lochdüse 8/2,0/24x0,3/7,0
11331020	10	0,3	7,0	2,0	24	AL-Lochdüse 10/2,0/24x0,3/7,0
11331021	10	0,3	7,0	2,0	40	AL-Lochdüse 10/2,0/40x0,3/7,0
11331022	10	0,3	7,0	2,0	52	AL-Lochdüse 10/2,0/52x0,3/7,0
11331223	12	0,3	7,0	2,0	40	AL-Lochdüse 12/2,0/40x0,3/7,0
11331224	12	0,3	7,0	2,0	72	AL-Lochdüse 12/2,0/72x0,3/7,0
11331323	13	0,3	7,0	2,0	40	AL-Lochdüse 13/2,0/40x0,3/7,0
11331324	13	0,3	7,0	2,0	72	AL-Lochdüse 13/2,0/72x0,3/7,0
11331424	14	0,3	7,0	2,0	72	AL-Lochdüse 14/2,0/72x0,3/7,0
11331523	15	0,3	7,0	2,0	72	AL-Lochdüse 15/2,0/72x0,3/7,0
11331524	15	0,3	7,0	2,0	100	AL-Lochdüse 15/2,0/100x0,3/7,0
11331624	16	0,3	7,0	2,0	100	AL-Lochdüse 16/2,0/100x0,3/7,0
11331824	18	0,3	7,0	2,0	150	AL-Lochdüse 18/2,0/150x0,3/7,0
11332024	20	0,3	7,0	2,0	180	AL-Lochdüse 20/2,0/180x0,3/7,0
11332221	22	0,3	8,0	2,0	180	AL-Lochdüse 22/2,0/180x0,3/8,0
11332421	24	0,3	8,0	2,0	210	AL-Lochdüse 24/2,0/210x0,3/8,0
11332521	25	0,3	8,0	2,0	210	AL-Lochdüse 25/2,0/210x0,3/8,0
11332621	26	0,3	8,0	2,0	210	AL-Lochdüse 26/2,0/210x0,3/8,0
11333021	30	0,3	8,0	2,0	230	AL-Lochdüse 30/2,0/230x0,3/8,0

andere Ausführungen auf Anfrage
other types upon request

nicht alles aus Lagerbeständen lieferbar
not all in stock, delivery time upon request



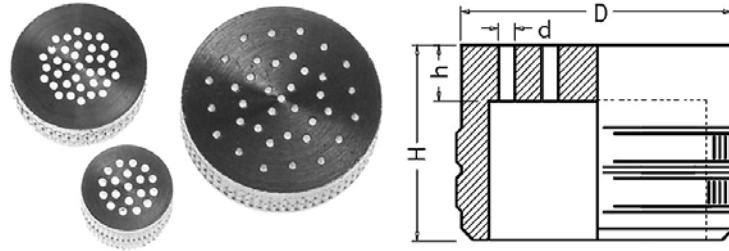
Peter Kröner GmbH
Kirchstr. 1h
D-56412 Stahlhofen
Telefon +49 (0) 2602 5278
Telefax +49 (0) 2602 17992
www.peter-kroener.de
sales@peter-kroener.de

Lochdüse / Core Vent with holes

Material Aluminium
Durchmesser / Diameter 2 - 16 mm
Bodenstärke / thickness 1,0 mm
Lochdurchmesser / hole diameter 0,4 mm

11.10.04.10

September 2016



Aluminum Core Vents / thickness 1,0 mm with holes 0,4 mm

Artikel-Nr. / #	D	d	H	h	Anz. Löcher	Beschreibung / description
11430210	2	0,4	7,0	1,0	1	AL-Lochdüse 2/1,0/1x0,4/7,0
11430310	3	0,4	7,0	1,0	3	AL-Lochdüse 3/1,0/3x0,4/7,0
11430410	4	0,4	7,0	1,0	4	AL-Lochdüse 4/1,0/4x0,4/7,0
11430511	5	0,4	7,0	1,0	12	AL-Lochdüse 5/1,0/12x0,4/7,0
11430611	6	0,4	7,0	1,0	16	AL-Lochdüse 6/1,0/16x0,4/7,0
11430811	8	0,4	7,0	1,0	24	AL-Lochdüse 8/1,0/24x0,4/7,0
11431010	10	0,4	7,0	1,0	24	AL-Lochdüse 10/1,0/24x0,4/7,0
11431012	10	0,4	7,0	1,0	52	AL-Lochdüse 10/1,0/52x0,4/7,0
11431213	12	0,4	7,0	1,0	40	AL-Lochdüse 12/1,0/40x0,4/7,0
11431214	12	0,4	7,0	1,0	72	AL-Lochdüse 12/1,0/72x0,4/7,0
11431313	13	0,4	7,0	1,0	40	AL-Lochdüse 13/1,0/40x0,4/7,0
11431314	13	0,4	7,0	1,0	72	AL-Lochdüse 13/1,0/72x0,4/7,0
11431414	14	0,4	7,0	1,0	72	AL-Lochdüse 14/1,0/72x0,4/7,0
11431513	15	0,4	7,0	1,0	72	AL-Lochdüse 15/1,0/72x0,4/7,0
11431514	15	0,4	7,0	1,0	100	AL-Lochdüse 15/1,0/100x0,4/7,0
11431614	16	0,4	7,0	1,0	100	AL-Lochdüse 16/1,0/100x0,4/7,0

andere Ausführungen auf Anfrage
other types upon request

nicht alles aus Lagerbeständen lieferbar
not all in stock, delivery time upon request



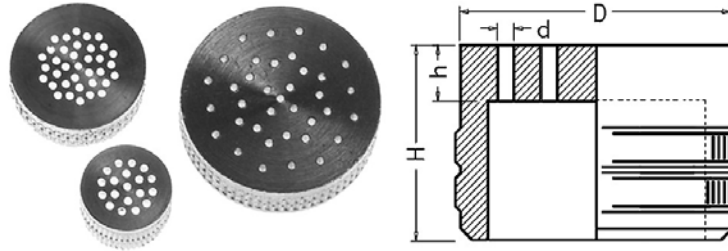
Peter Kröner GmbH
Kirchstr. 1h
D-56412 Stahlhofen
Telefon +49 (0) 2602 5278
Telefax +49 (0) 2602 17992
www.peter-kroener.de
sales@peter-kroener.de

Lochdüse / Core Vent with holes

Material Aluminium
Durchmesser / Diameter 3 - 30 mm
Bodenstärke / thickness 2,0 mm
Lochdurchmesser / hole diameter 0,4 mm

11.10.04.20

September 2016



Aluminum Core Vents / thickness 2,0 mm with holes 0,4 mm

Artikel-Nr. / #	D	d	H	h	Anz. Löcher	Beschreibung / description
11430320	3	0,4	7,0	2,0	3	AL-Lochdüse 3/2,0/3x0,4/7,0
11430420	4	0,4	7,0	2,0	4	AL-Lochdüse 4/2,0/4x0,4/7,0
11430521	5	0,4	7,0	2,0	12	AL-Lochdüse 5/2,0/12x0,4/7,0
11430621	6	0,4	7,0	2,0	16	AL-Lochdüse 6/2,0/16x0,4/7,0
11430821	8	0,4	7,0	2,0	24	AL-Lochdüse 8/2,0/24x0,4/7,0
11431020	10	0,4	7,0	2,0	24	AL-Lochdüse 10/2,0/24x0,4/7,0
11431022	10	0,4	7,0	2,0	52	AL-Lochdüse 10/2,0/52x0,4/7,0
11431223	12	0,4	7,0	2,0	40	AL-Lochdüse 12/2,0/40x0,4/7,0
11431224	12	0,4	7,0	2,0	72	AL-Lochdüse 12/2,0/72x0,4/7,0
11431323	13	0,4	7,0	2,0	40	AL-Lochdüse 13/2,0/40x0,3/7,0
11431324	13	0,4	7,0	2,0	72	AL-Lochdüse 13/2,0/72x0,4/7,0
11431424	14	0,4	7,0	2,0	72	AL-Lochdüse 14/2,0/72x0,4/7,0
11431523	15	0,4	7,0	2,0	72	AL-Lochdüse 15/2,0/72x0,4/7,0
11431524	15	0,4	7,0	2,0	100	AL-Lochdüse 15/2,0/100x0,4/7,0
11431624	16	0,4	7,0	2,0	100	AL-Lochdüse 16/2,0/100x0,4/7,0
11431824	18	0,4	7,0	2,0	150	AL-Lochdüse 18/2,0/150x0,4/7,0
11432024	20	0,4	7,0	2,0	180	AL-Lochdüse 20/2,0/180x0,4/7,0
11432221	22	0,4	8,0	2,0	180	AL-Lochdüse 22/2,0/180x0,4/8,0
11432421	24	0,4	8,0	2,0	210	AL-Lochdüse 24/2,0/210x0,4/8,0
11432521	25	0,4	8,0	2,0	210	AL-Lochdüse 25/2,0/210x0,4/8,0
11432621	26	0,4	8,0	2,0	210	AL-Lochdüse 26/2,0/210x0,4/8,0
11433021	30	0,4	8,0	2,0	230	AL-Lochdüse 30/2,0/230x0,4/8,0

andere Ausführungen auf Anfrage
other types upon request

nicht alles aus Lagerbeständen lieferbar
not all in stock, delivery time upon request

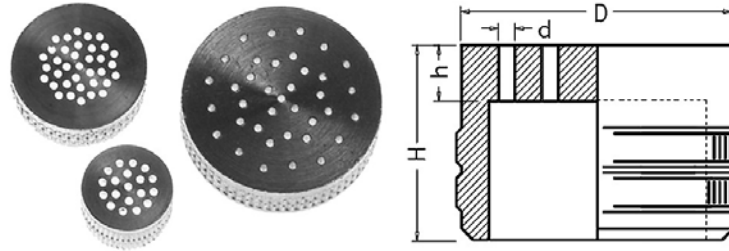


Peter Kröner GmbH
Kirchstr. 1h
D-56412 Stahlhofen
Telefon +49 (0) 2602 5278
Telefax +49 (0) 2602 17992
www.peter-kroener.de
sales@peter-kroener.de

Lochdüse / Core Vent with holes

Material Aluminium
Durchmesser / Diameter 2 - 16 mm
Bodenstärke / thickness 1,0 mm
Lochdurchmesser / hole diameter 0,5 mm

11.10.05.10
September 2016



Aluminum Core Vents / thickness 1,0 mm with holes 0,5 mm

Artikel-Nr. / #	D	d	H	h	Anz. Löcher	Beschreibung / description
11530210	2	0,5	7,0	1,0	1	AL-Lochdüse 2/1,0/1x0,5/7,0
11530310	3	0,5	7,0	1,0	3	AL-Lochdüse 3/1,0/3x0,5/7,0
11530410	4	0,5	7,0	1,0	4	AL-Lochdüse 4/1,0/4x0,5/7,0
11530511	5	0,5	7,0	1,0	8	AL-Lochdüse 5/1,0/8x0,5/7,0
11530610	6	0,5	7,0	1,0	6	AL-Lochdüse 6/1,0/6x0,5/7,0
11530611	6	0,5	7,0	1,0	16	AL-Lochdüse 6/1,0/16x0,5/7,0
11530800	8	0,5	7,0	1,0	16	AL-Lochdüse 8/1,0/16x0,5/7,0
11530811	8	0,5	7,0	1,0	24	AL-Lochdüse 8/1,0/24x0,5/7,0
11531010	10	0,5	7,0	1,0	24	AL-Lochdüse 10/1,0/24x0,5/7,0
11531011	10	0,5	7,0	1,0	40	AL-Lochdüse 10/1,0/40x0,5/7,0
11531012	10	0,5	7,0	1,0	52	AL-Lochdüse 10/1,0/52x0,5/7,0
11531211	12	0,5	7,0	1,0	40	AL-Lochdüse 12/1,0/40x0,5/7,0
11531214	12	0,5	7,0	1,0	72	AL-Lochdüse 12/1,0/72x0,5/7,0
11531311	13	0,5	7,0	1,0	40	AL-Lochdüse 13/1,0/40x0,5/7,0
11531314	13	0,5	7,0	1,0	72	AL-Lochdüse 13/1,0/72x0,5/7,0
11531411	14	0,5	7,0	1,0	36	AL-Lochdüse 14/1,0/36x0,5/7,0
11531414	14	0,5	7,0	1,0	72	AL-Lochdüse 14/1,0/72x0,5/7,0
11531512	15	0,5	7,0	1,0	45	AL-Lochdüse 15/1,0/45x0,5/7,0
11531513	15	0,5	7,0	1,0	72	AL-Lochdüse 15/1,0/72x0,5/7,0
11531514	15	0,5	7,0	1,0	100	AL-Lochdüse 15/1,0/100x0,5/7,0
11531614	16	0,5	7,0	1,0	100	AL-Lochdüse 16/1,0/100x0,5/7,0

andere Ausführungen auf Anfrage
other types upon request

nicht alles aus Lagerbeständen lieferbar
not all in stock, delivery time upon request



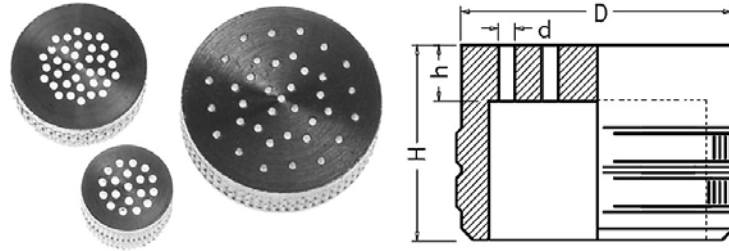
Peter Kröner GmbH
Kirchstr. 1h
D-56412 Stahlhofen
Telefon +49 (0) 2602 5278
Telefax +49 (0) 2602 17992
www.peter-kroener.de
sales@peter-kroener.de

Lochdüse / Core Vent with holes

Material Aluminium
Durchmesser / Diameter 2 - 30 mm
Bodenstärke / thickness 2,0 mm
Lochdurchmesser / hole diameter 0,5 mm

11.10.05.20

September 2016



Aluminum Core Vents / thickness 2,0 mm with holes 0,5 mm

Artikel-Nr. / #	D	d	H	h	Anz. Löcher	Beschreibung / description
11530220	2	0,5	7,0	2,0	1	AL-Lochdüse 2/2,0/1x0,5/7,0
11530320	3	0,5	7,0	2,0	3	AL-Lochdüse 3/2,0/3x0,5/7,0
11530420	4	0,5	7,0	2,0	4	AL-Lochdüse 4/2,0/4x0,5/7,0
11530521	5	0,5	7,0	2,0	8	AL-Lochdüse 5/2,0/8x0,5/7,0
11530620	6	0,5	7,0	2,0	8	AL-Lochdüse 6/2,0/8x0,5/7,0
11530621	6	0,5	7,0	2,0	16	AL-Lochdüse 6/2,0/16x0,5/7,0
11530820	8	0,5	7,0	2,0	16	AL-Lochdüse 8/2,0/16x0,5/7,0
11530821	8	0,5	7,0	2,0	24	AL-Lochdüse 8/2,0/24x0,5/7,0
11531020	10	0,5	7,0	2,0	24	AL-Lochdüse 10/2,0/24x0,5/7,0
11531021	10	0,5	7,0	2,0	40	AL-Lochdüse 10/2,0/40x0,5/7,0
11531022	10	0,5	7,0	2,0	52	AL-Lochdüse 10/2,0/52x0,5/7,0
11531221	12	0,5	7,0	2,0	40	AL-Lochdüse 12/2,0/40x0,5/7,0
11531224	12	0,5	7,0	2,0	72	AL-Lochdüse 12/2,0/72x0,5/7,0
11531321	13	0,5	7,0	2,0	40	AL-Lochdüse 13/2,0/40x0,5/7,0
11531324	13	0,5	7,0	2,0	72	AL-Lochdüse 13/2,0/72x0,5/7,0
11531424	14	0,5	7,0	2,0	65	AL-Lochdüse 14/2,0/65x0,5/7,0
11531523	15	0,5	7,0	2,0	72	AL-Lochdüse 15/2,0/72x0,5/7,0
11531524	15	0,5	7,0	2,0	100	AL-Lochdüse 15/2,0/100x0,5/7,0
11531624	16	0,5	7,0	2,0	100	AL-Lochdüse 16/2,0/100x0,5/7,0
11531824	18	0,5	7,0	2,0	150	AL-Lochdüse 18/2,0/150x0,5/7,0
11532024	20	0,5	7,0	2,0	180	AL-Lochdüse 20/2,0/180x0,5/7,0
11532221	22	0,5	8,0	2,0	180	AL-Lochdüse 22/2,0/180x0,5/8,0
11532421	24	0,5	8,0	2,0	210	AL-Lochdüse 24/2,0/210x0,5/8,0
11532521	25	0,5	8,0	2,0	210	AL-Lochdüse 25/2,0/210x0,5/8,0
11532621	26	0,5	8,0	2,0	210	AL-Lochdüse 26/2,0/210x0,5/8,0
11533021	30	0,5	8,0	2,0	230	AL-Lochdüse 30/2,0/230x0,5/8,0

andere Ausführungen auf Anfrage
other types upon request

nicht alles aus Lagerbeständen lieferbar
not all in stock, delivery time upon request

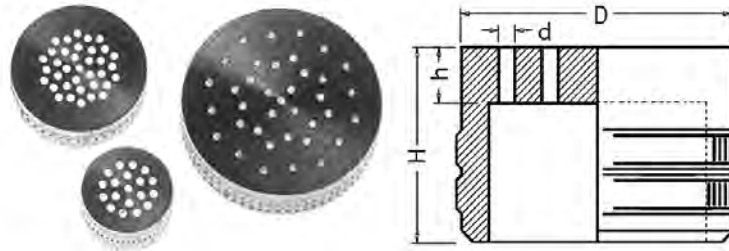


Peter Kröner GmbH
Kirchstr. 1h
D-56412 Stahlhofen
Telefon +49 (0) 2602 5278
Telefax +49 (0) 2602 17992
www.peter-kroener.de
sales@peter-kroener.de

Lochdüse / Core Vent with holes

Material Aluminium
Durchmesser / Diameter 4 - 30 mm
Bodenstärke / thickness 4,0 mm
Lochdurchmesser / hole diameter 0,5 mm

11.10.05.25
September 2016



Aluminum Core Vents / thickness 4,0 mm with holes 0,5 mm

Artikel-Nr. / #	D	d	H	h	Anz. Löcher	Beschreibung / description
11530440	4	0,5	7,0	4,0	4	AL-Lochdüse 4/4,0/4x0,5/7,0
11530541	5	0,5	7,0	4,0	8	AL-Lochdüse 5/4,0/8x0,5/7,0
11530640	6	0,5	7,0	4,0	8	AL-Lochdüse 6/4,0/8x0,5/7,0
11530641	6	0,5	7,0	4,0	16	AL-Lochdüse 6/4,0/16x0,5/7,0
11530840	8	0,5	7,0	4,0	16	AL-Lochdüse 8/4,0/16x0,5/7,0
11530841	8	0,5	7,0	4,0	24	AL-Lochdüse 8/4,0/24x0,5/7,0
11531040	10	0,5	7,0	4,0	24	AL-Lochdüse 10/4,0/24x0,5/7,0
11531041	10	0,5	7,0	4,0	40	AL-Lochdüse 10/4,0/40x0,5/7,0
11531042	10	0,5	7,0	4,0	52	AL-Lochdüse 10/4,0/52x0,5/7,0
11531241	12	0,5	7,0	4,0	40	AL-Lochdüse 12/4,0/40x0,5/7,0
11531244	12	0,5	7,0	4,0	72	AL-Lochdüse 12/4,0/72x0,5/7,0
11531341	13	0,5	7,0	4,0	40	AL-Lochdüse 13/4,0/40x0,5/7,0
11531344	13	0,5	7,0	4,0	72	AL-Lochdüse 13/4,0/72x0,5/7,0
11531441	14	0,5	7,0	4,0	40	AL-Lochdüse 14/4,0/40x0,5/7,0
11531444	14	0,5	7,0	4,0	72	AL-Lochdüse 14/4,0/72x0,5/7,0
11531542	15	0,5	7,0	4,0	52	AL-Lochdüse 15/4,0/52x0,5/7,0
11531544	15	0,5	7,0	4,0	100	AL-Lochdüse 15/4,0/100x0,5/7,0
11531642	16	0,5	7,0	4,0	72	AL-Lochdüse 16/4,0/72x0,5/7,0
11531644	16	0,5	7,0	4,0	100	AL-Lochdüse 16/4,0/100x0,5/7,0
11531842	18	0,5	7,0	4,0	100	AL-Lochdüse 18/4,0/100x0,5/7,0
11531844	18	0,5	7,0	4,0	150	AL-Lochdüse 18/4,0/150x0,5/7,0
11532042	20	0,5	7,0	4,0	100	AL-Lochdüse 20/4,0/100x0,5/7,0
11532044	20	0,5	7,0	4,0	180	AL-Lochdüse 20/4,0/180x0,5/7,0
11532240	22	0,5	8,0	4,0	100	AL-Lochdüse 22/4,0/100x0,5/8,0
11532241	22	0,5	8,0	4,0	180	AL-Lochdüse 22/4,0/180x0,5/8,0
11532440	24	0,5	8,0	4,0	100	AL-Lochdüse 24/4,0/100x0,5/8,0
11532441	24	0,5	8,0	4,0	180	AL-Lochdüse 24/4,0/180x0,5/8,0
11532540	25	0,5	8,0	4,0	100	AL-Lochdüse 25/4,0/100x0,5/8,0
11532541	25	0,5	8,0	4,0	180	AL-Lochdüse 25/4,0/180x0,5/8,0
11532640	26	0,5	8,0	4,0	100	AL-Lochdüse 26/4,0/100x0,5/8,0
11532641	26	0,5	8,0	4,0	180	AL-Lochdüse 26/4,0/180x0,5/8,0
11533040	30	0,5	8,0	4,0	100	AL-Lochdüse 30/4,0/100x0,5/8,0
11533041	30	0,5	8,0	4,0	180	AL-Lochdüse 30/4,0/180x0,5/8,0

andere Ausführungen auf Anfrage
other types upon request

nicht alles aus Lagerbeständen lieferbar
not all in stock, delivery time upon request

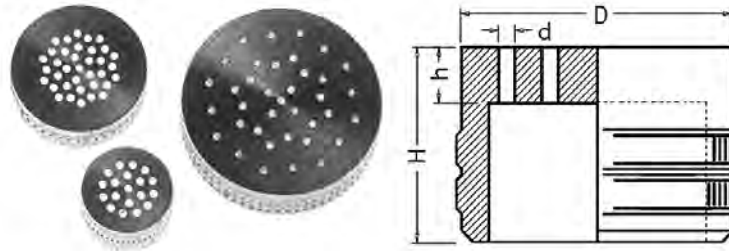


Peter Kröner GmbH
Kirchstr. 1h
D-56412 Stahlhofen
Telefon +49 (0) 2602 5278
Telefax +49 (0) 2602 17992
www.peter-kroener.de
sales@peter-kroener.de

Lochdüse / Core Vent with holes

Material Aluminium
Durchmesser / Diameter 4 - 30 mm
Bodenstärke / thickness 4,0 mm
Lochdurchmesser / hole diameter 0,5 mm

11.10.05.40
September 2016



Aluminum Core Vents / thickness 4,0 mm with holes 0,5 mm

Artikel-Nr. / #	D	d	H	h	Anz. Löcher	Beschreibung / description
11530440	4	0,5	7,0	4,0	4	AL-Lochdüse 4/4,0/4x0,5/7,0
11530541	5	0,5	7,0	4,0	8	AL-Lochdüse 5/4,0/8x0,5/7,0
11530640	6	0,5	7,0	4,0	8	AL-Lochdüse 6/4,0/8x0,5/7,0
11530641	6	0,5	7,0	4,0	16	AL-Lochdüse 6/4,0/16x0,5/7,0
11530840	8	0,5	7,0	4,0	16	AL-Lochdüse 8/4,0/16x0,5/7,0
11530841	8	0,5	7,0	4,0	24	AL-Lochdüse 8/4,0/24x0,5/7,0
11531040	10	0,5	7,0	4,0	24	AL-Lochdüse 10/4,0/24x0,5/7,0
11531041	10	0,5	7,0	4,0	40	AL-Lochdüse 10/4,0/40x0,5/7,0
11531042	10	0,5	7,0	4,0	52	AL-Lochdüse 10/4,0/52x0,5/7,0
11531241	12	0,5	7,0	4,0	40	AL-Lochdüse 12/4,0/40x0,5/7,0
11531244	12	0,5	7,0	4,0	72	AL-Lochdüse 12/4,0/72x0,5/7,0
11531341	13	0,5	7,0	4,0	40	AL-Lochdüse 13/4,0/40x0,5/7,0
11531344	13	0,5	7,0	4,0	72	AL-Lochdüse 13/4,0/72x0,5/7,0
11531441	14	0,5	7,0	4,0	40	AL-Lochdüse 14/4,0/40x0,5/7,0
11531444	14	0,5	7,0	4,0	72	AL-Lochdüse 14/4,0/72x0,5/7,0
11531542	15	0,5	7,0	4,0	52	AL-Lochdüse 15/4,0/52x0,5/7,0
11531544	15	0,5	7,0	4,0	100	AL-Lochdüse 15/4,0/100x0,5/7,0
11531642	16	0,5	7,0	4,0	72	AL-Lochdüse 16/4,0/72x0,5/7,0
11531644	16	0,5	7,0	4,0	100	AL-Lochdüse 16/4,0/100x0,5/7,0
11531842	18	0,5	7,0	4,0	100	AL-Lochdüse 18/4,0/100x0,5/7,0
11531844	18	0,5	7,0	4,0	150	AL-Lochdüse 18/4,0/150x0,5/7,0
11532042	20	0,5	7,0	4,0	100	AL-Lochdüse 20/4,0/100x0,5/7,0
11532044	20	0,5	7,0	4,0	180	AL-Lochdüse 20/4,0/180x0,5/7,0
11532240	22	0,5	8,0	4,0	100	AL-Lochdüse 22/4,0/100x0,5/8,0
11532241	22	0,5	8,0	4,0	180	AL-Lochdüse 22/4,0/180x0,5/8,0
11532440	24	0,5	8,0	4,0	100	AL-Lochdüse 24/4,0/100x0,5/8,0
11532441	24	0,5	8,0	4,0	180	AL-Lochdüse 24/4,0/180x0,5/8,0
11532540	25	0,5	8,0	4,0	100	AL-Lochdüse 25/4,0/100x0,5/8,0
11532541	25	0,5	8,0	4,0	180	AL-Lochdüse 25/4,0/180x0,5/8,0
11532640	26	0,5	8,0	4,0	100	AL-Lochdüse 26/4,0/100x0,5/8,0
11532641	26	0,5	8,0	4,0	180	AL-Lochdüse 26/4,0/180x0,5/8,0
11533040	30	0,5	8,0	4,0	100	AL-Lochdüse 30/4,0/100x0,5/8,0
11533041	30	0,5	8,0	4,0	180	AL-Lochdüse 30/4,0/180x0,5/8,0

andere Ausführungen auf Anfrage
other types upon request

nicht alles aus Lagerbeständen lieferbar
not all in stock, delivery time upon request



Peter Kröner GmbH
Kirchstr. 1h
D-56412 Stahlhofen
Telefon +49 (0) 2602 5278
Telefax +49 (0) 2602 17992
www.peter-kroener.de
sales@peter-kroener.de

Lochdüse / Core Vent with holes

11.10.06.10
September 2016

Material Aluminium
Durchmesser / Diameter 2 - 16 mm
Bodenstärke / thickness 1,0 mm
Lochdurchmesser / hole diameter 0,6 mm

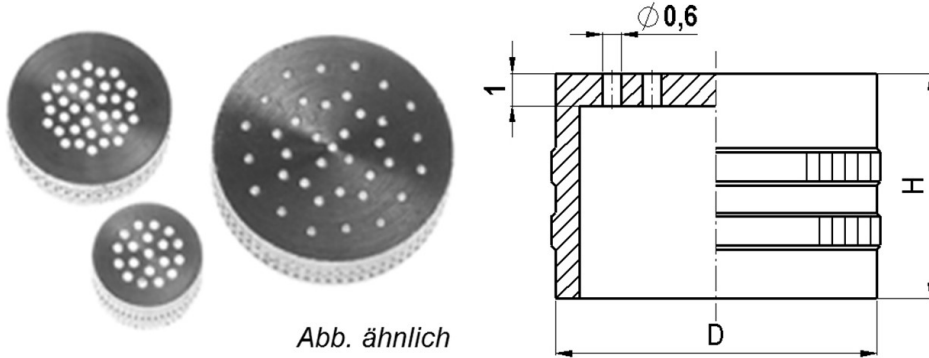


Abb. ähnlich

Aluminum Core Vents / thickness 1,0 mm with 0,6 mm holes

Artikel-Nr. / #	D	d	H	h	Anz. Löcher	Beschreibung / description
11630210	2	0,6	7,0	1,0	1	AL-Lochdüse 2/1,0/1x0,6/7,0
11630310	3	0,6	7,0	1,0	3	AL-Lochdüse 3/1,0/3x0,6/7,0
11630410	4	0,6	7,0	1,0	4	AL-Lochdüse 4/1,0/4x0,6/7,0
11630511	5	0,6	7,0	1,0	7	AL-Lochdüse 5/1,0/7x0,6/7,0
11630610	6	0,6	7,0	1,0	7	AL-Lochdüse 6/1,0/7x0,6/7,0
11630611	6	0,6	7,0	1,0	14	AL-Lochdüse 6/1,0/14x0,6/7,0
11630800	8	0,6	7,0	1,0	14	AL-Lochdüse 8/1,0/14x0,6/7,0
11630811	8	0,6	7,0	1,0	22	AL-Lochdüse 8/1,0/22x0,6/7,0
11631010	10	0,6	7,0	1,0	24	AL-Lochdüse 10/1,0/24x0,6/7,0
11631011	10	0,6	7,0	1,0	40	AL-Lochdüse 10/1,0/40x0,6/7,0
11631012	10	0,6	7,0	1,0	52	AL-Lochdüse 10/1,0/52x0,6/7,0
11631213	12	0,6	7,0	1,0	40	AL-Lochdüse 12/1,0/40x0,6/7,0
11631214	12	0,6	7,0	1,0	72	AL-Lochdüse 12/1,0/72x0,6/7,0
11631313	13	0,6	7,0	1,0	40	AL-Lochdüse 13/1,0/40x0,6/7,0
11631314	13	0,6	7,0	1,0	72	AL-Lochdüse 13/1,0/72x0,6/7,0
11631414	14	0,6	7,0	1,0	72	AL-Lochdüse 14/1,0/72x0,6/7,0
11631513	15	0,6	7,0	1,0	72	AL-Lochdüse 15/1,0/72x0,6/7,0
11631514	15	0,6	7,0	1,0	100	AL-Lochdüse 15/1,0/100x0,6/7,0
11631614	16	0,6	7,0	1,0	100	AL-Lochdüse 16/1,0/100x0,6/7,0

andere Ausführungen auf Anfrage
other types upon request

nicht alles aus Lagerbeständen lieferbar
not all in stock, delivery time upon request

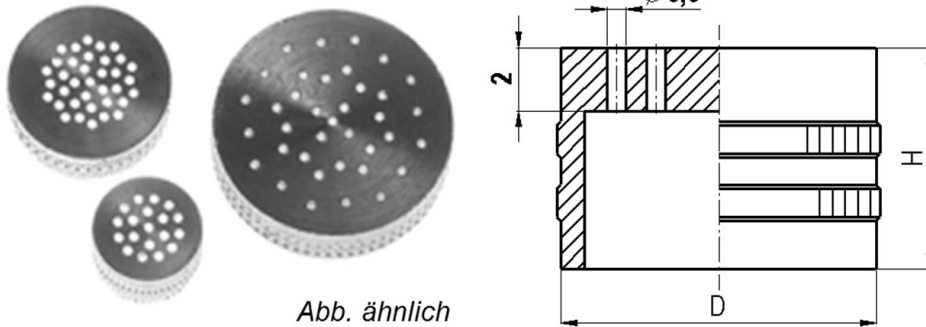


Peter Kröner GmbH
Kirchstr. 1h
D-56412 Stahlhofen
Telefon +49 (0) 2602 5278
Telefax +49 (0) 2602 17992
www.peter-kroener.de
sales@peter-kroener.de

Lochdüse / Core Vent with holes

Material Aluminium
Durchmesser / Diameter 2 - 30 mm
Bodenstärke / thickness 2,0 mm
Lochdurchmesser / hole diameter 0,6 mm

11.10.06.20
September 2016



Aluminum Core Vents / thickness 2,0 mm with holes 0,6 mm

Artikel-Nr. / #	D	d	H	h	Anz. Löcher	Beschreibung / description
11630220	2	0,6	7,0	2,0	1	AL-Lochdüse 2/2,0/1x0,6/7,0
11630320	3	0,6	7,0	2,0	3	AL-Lochdüse 3/2,0/3x0,6/7,0
11630420	4	0,6	7,0	2,0	4	AL-Lochdüse 4/2,0/4x0,6/7,0
11630521	5	0,6	7,0	2,0	7	AL-Lochdüse 5/2,0/7x0,6/7,0
11630620	6	0,6	7,0	2,0	7	AL-Lochdüse 6/2,0/7x0,6/7,0
11630621	6	0,6	7,0	2,0	14	AL-Lochdüse 6/2,0/14x0,6/7,0
11630820	8	0,6	7,0	2,0	14	AL-Lochdüse 8/2,0/14x0,6/7,0
11630821	8	0,6	7,0	2,0	22	AL-Lochdüse 8/2,0/22x0,6/7,0
11631020	10	0,6	7,0	2,0	24	AL-Lochdüse 10/2,0/24x0,6/7,0
11631021	10	0,6	7,0	2,0	40	AL-Lochdüse 10/2,0/40x0,6/7,0
11631022	10	0,6	7,0	2,0	50	AL-Lochdüse 10/2,0/50x0,6/7,0
11631223	12	0,6	7,0	2,0	40	AL-Lochdüse 12/2,0/40x0,6/7,0
11631224	12	0,6	7,0	2,0	72	AL-Lochdüse 12/2,0/72x0,6/7,0
11631323	13	0,6	7,0	2,0	40	AL-Lochdüse 13/2,0/40x0,6/7,0
11631324	13	0,6	7,0	2,0	72	AL-Lochdüse 13/2,0/72x0,6/7,0
11631424	14	0,6	7,0	2,0	72	AL-Lochdüse 14/2,0/72x0,6/7,0
11631523	15	0,6	7,0	2,0	72	AL-Lochdüse 15/2,0/72x0,6/7,0
11631524	15	0,6	7,0	2,0	100	AL-Lochdüse 15/2,0/100x0,6/7,0
11631624	16	0,6	7,0	2,0	100	AL-Lochdüse 16/2,0/100x0,6/7,0
11631824	18	0,6	7,0	2,0	150	AL-Lochdüse 18/2,0/150x0,6/7,0
11632024	20	0,6	7,0	2,0	180	AL-Lochdüse 20/2,0/180x0,6/7,0
11632221	22	0,6	8,0	2,0	180	AL-Lochdüse 22/2,0/180x0,6/8,0
11632421	24	0,6	8,0	2,0	210	AL-Lochdüse 24/2,0/210x0,6/8,0
11632521	25	0,6	8,0	2,0	210	AL-Lochdüse 25/2,0/210x0,6/8,0
11652621	26	0,6	8,0	2,0	210	AL-Lochdüse 26/2,0/210x0,6/8,0
11653021	30	0,6	8,0	2,0	230	AL-Lochdüse 30/2,0/230x0,6/8,0

andere Ausführungen auf Anfrage
other types upon request

nicht alles aus Lagerbeständen lieferbar
not all in stock, delivery time upon request



Peter Kröner GmbH
Kirchstr. 1h
D-56412 Stahlhofen
Telefon +49 (0) 2602 5278
Telefax +49 (0) 2602 17992
www.peter-kroener.de
sales@peter-kroener.de

Lochdüse / Core Vent with holes

Material Aluminium
Durchmesser / Diameter 3 - 30 mm
Bodenstärke / thickness 4,0 mm
Lochdurchmesser / hole diameter 0,6 mm

11.10.06.40

September 2016

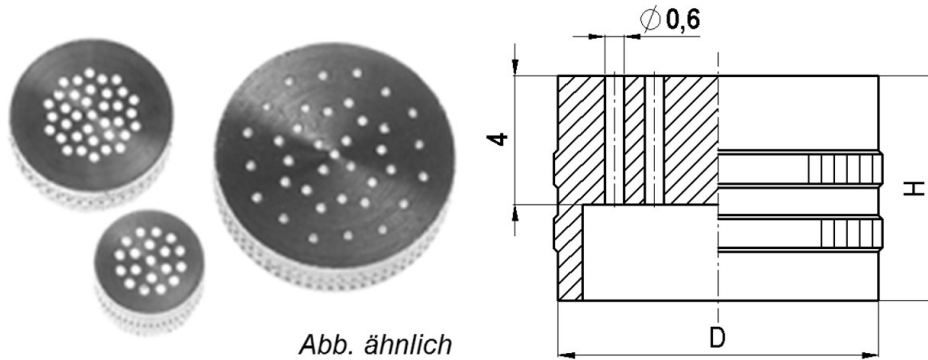


Abb. ähnlich

Aluminum Core Vents / thickness 4,0 mm with holes 0,6 mm

Artikel-Nr. / #	D	d	H	h	Anz. Löcher	Beschreibung / description
11630340	3	0,6	7,0	4,0	3	AL-Lochdüse 3/4,0/3x0,6/7,0
11630440	4	0,6	7,0	4,0	4	AL-Lochdüse 4/4,0/4x0,6/7,0
11630541	5	0,6	7,0	4,0	7	AL-Lochdüse 5/4,0/7x0,6/7,0
11630640	6	0,6	7,0	4,0	7	AL-Lochdüse 6/4,0/7x0,6/7,0
11630641	6	0,6	7,0	4,0	14	AL-Lochdüse 6/4,0/14x0,6/7,0
11630841	8	0,6	7,0	4,0	14	AL-Lochdüse 8/4,0/14x0,6/7,0
11630840	8	0,6	7,0	4,0	22	AL-Lochdüse 8/4,0/22x0,6/7,0
11631042	10	0,6	7,0	4,0	24	AL-Lochdüse 10/4,0/24x0,6/7,0
11631041	10	0,6	7,0	4,0	40	AL-Lochdüse 10/4,0/40x0,6/7,0
11631040	10	0,6	7,0	4,0	50	AL-Lochdüse 10/4,0/50x0,6/7,0
11631243	12	0,6	7,0	4,0	40	AL-Lochdüse 12/4,0/40x0,6/7,0
11631244	12	0,6	7,0	4,0	72	AL-Lochdüse 12/4,0/72x0,6/7,0
11631343	13	0,6	7,0	4,0	40	AL-Lochdüse 13/4,0/40x0,6/7,0
11631344	13	0,6	7,0	4,0	72	AL-Lochdüse 13/4,0/72x0,6/7,0
11631444	14	0,6	7,0	4,0	72	AL-Lochdüse 14/4,0/72x0,6/7,0
11631543	15	0,6	7,0	4,0	72	AL-Lochdüse 15/4,0/72x0,6/7,0
11631544	15	0,6	7,0	4,0	100	AL-Lochdüse 15/4,0/100x0,6/7,0
11631644	16	0,6	7,0	4,0	100	AL-Lochdüse 16/4,0/100x0,6/7,0
11631844	18	0,6	7,0	4,0	150	AL-Lochdüse 18/4,0/150x0,6/7,0
11632044	20	0,6	7,0	4,0	180	AL-Lochdüse 20/4,0/180x0,6/7,0
11632241	22	0,6	8,0	4,0	180	AL-Lochdüse 22/4,0/180x0,6/8,0
11632441	24	0,6	8,0	4,0	180	AL-Lochdüse 24/4,0/180x0,6/8,0
11632541	25	0,6	8,0	4,0	180	AL-Lochdüse 25/4,0/180x0,6/8,0
11632641	26	0,6	8,0	4,0	180	AL-Lochdüse 26/4,0/180x0,6/8,0
11633041	30	0,6	8,0	4,0	180	AL-Lochdüse 30/4,0/180x0,6/8,0

andere Ausführungen auf Anfrage
other types upon request

nicht alles aus Lagerbeständen lieferbar
not all in stock, delivery time upon request

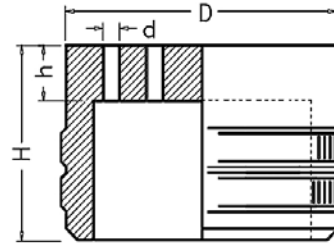


Peter Kröner GmbH
Kirchstr. 1h
D-56412 Stahlhofen
Telefon +49 (0) 2602 5278
Telefax +49 (0) 2602 17992
www.peter-kroener.de
sales@peter-kroener.de

STANDARD Lochdüse

Material Aluminium
Durchmesser / Diameter 2 - 15 mm
Bodenstärke / thickness 1,1 mm
Lochdurchmesser / hole diameter 0,8 - 1,0 mm

11.10.08.10
September 2016



Standard Aluminum Core Vents / thickness 1,1 mm with holes 0,8 and 1,0 mm

Artikel-Nr. / #	D	d	H	h	Anz. Löcher	Beschreibung / description	PE
11830401	4	0,8	5,5	1,1	4	AL-Lochdüse 4/4x0,8/5,5	1000
11830501	5	0,8	5,5	1,1	5	AL-Lochdüse 5/5x0,8/5,5	1000
11830801	8	0,8	5,5	1,1	12	AL-Lochdüse 8/12x0,8/5,5	1000
11831003	10	0,8	5,5	1,1	19	AL-Lochdüse 10/19x0,8/5,5	1000
11831004	10	0,8	5,5	1,1	28	AL-Lochdüse 10/28x0,8/5,5	1000
11831203	12	0,8	5,5	1,1	22	AL-Lochdüse 12/22x0,8/5,5	1000
11831204	12	0,8	5,5	1,1	36	AL-Lochdüse 12/36x0,8/5,5	1000
11831303	13	0,8	5,5	1,1	22	AL-Lochdüse 13/22x0,8/5,5	1000
11831304	13	0,8	5,5	1,1	36	AL-Lochdüse 13/36x0,8/5,5	1000
11831503	15	0,8	5,5	1,1	30	AL-Lochdüse 15/30x0,8/5,5	500
11831504	15	0,8	5,5	1,1	36	AL-Lochdüse 15/36x0,8/5,5	500
11830200	2	0,8	7,0	1,1	1	AL-Lochdüse 2/1x0,8/7,0	1000
11830300	3	0,8	7,0	1,1	1	AL-Lochdüse 3/1x0,8/7,0	1000
11830400	4	0,8	7,0	1,1	4	AL-Lochdüse 4/4x0,8/7,0	1000
11830500	5	0,8	7,0	1,1	5	AL-Lochdüse 5/5x0,8/7,0	1000
11830600	6	0,8	7,0	1,1	6	AL-Lochdüse 6/6x0,8/7,0	1000
11830800	8	0,8	7,0	1,1	12	AL-Lochdüse 8/12x0,8/7,0	1000
11831001	10	0,8	7,0	1,1	19	AL-Lochdüse 10/19x0,8/7,0	1000
11831002	10	0,8	7,0	1,1	28	AL-Lochdüse 10/28x0,8/7,0	1000
11831005	10	0,8	7,0	2,0	36	AL-Lochdüse 10/2,0/36x0,8/7,0	1000
11831201	12	0,8	7,0	1,1	22	AL-Lochdüse 12/22x0,8/7,0	500
11831202	12	0,8	7,0	1,1	36	AL-Lochdüse 12/36x0,8/7,0	500
11831301	13	0,8	7,0	1,1	22	AL-Lochdüse 13/22x0,8/7,0	500
11831302	13	0,8	7,0	1,1	36	AL-Lochdüse 13/36x0,8/7,0	500
11831501	15	0,8	7,0	1,1	30	AL-Lochdüse 15/30x0,8/7,0	500
11831502	15	0,8	7,0	1,1	36	AL-Lochdüse 15/36x0,8/7,0	500
11131001	10	1,0	5,5	1,1	19	AL-Lochdüse 10/19x1,0/5,5	1000
11131201	12	1,0	5,5	1,1	22	AL-Lochdüse 12/22x1,0/5,5	1000
11131301	13	1,0	5,5	1,1	22	AL-Lochdüse 13/22x1,0/5,5	1000
11131501	15	1,0	5,5	1,1	30	AL-Lochdüse 15/30x1,0/5,5	500
11131002	10	1,0	7,0	1,1	19	AL-Lochdüse 10/19x1,0/7,0	1000
11131202	12	1,0	7,0	1,1	22	AL-Lochdüse 12/22x1,0/7,0	500
11131302	13	1,0	7,0	1,1	22	AL-Lochdüse 13/22x1,0/7,0	500
11131502	15	1,0	7,0	1,1	30	AL-Lochdüse 15/30x1,0/7,0	500

andere Ausführungen auf Anfrage
other types upon request

nicht alles aus Lagerbeständen lieferbar
not all in stock, delivery time upon request



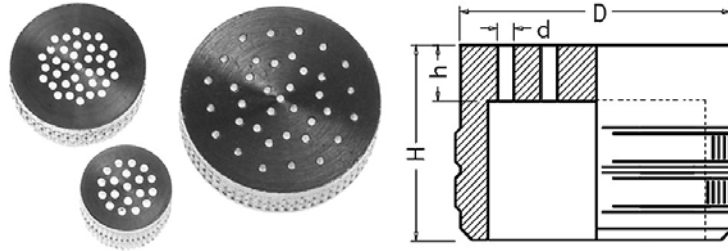
Peter Kröner GmbH
Kirchstr. 1h
D-56412 Stahlhofen
Telefon +49 (0) 2602 5278
Telefax +49 (0) 2602 17992
www.peter-kroener.de
sales@peter-kroener.de

Lochdüse / Core Vent with holes

Material Aluminium
Durchmesser / Diameter 2 - 30 mm
Bodenstärke / thickness 2,0 - 4,0 mm
Lochdurchmesser / hole diameter 0,8 mm

11.10.08.40

September 2016
Seite 1 von 2



Aluminum Core Vents / thickness 2,0 - 4,0 mm with holes 0,8 mm

Artikel-Nr. / #	D	d	H	h	Anz. Löcher	Beschreibung / description
11830220	2	0,8	7,0	2,0	1	AL-Lochdüse 2/2,0/1x0,8/7,0
11830320	3	0,8	7,0	2,0	1	AL-Lochdüse 3/2,0/1x0,8/7,0
11830420	4	0,8	7,0	2,0	4	AL-Lochdüse 4/2,0/4x0,8/7,0
11830520	5	0,8	7,0	2,0	6	AL-Lochdüse 5/2,0/6x0,8/7,0
11830620	6	0,8	7,0	2,0	7	AL-Lochdüse 6/2,0/7x0,8/7,0
11830820	8	0,8	7,0	2,0	14	AL-Lochdüse 8/2,0/14x0,8/7,0
11831021	10	0,8	7,0	2,0	20	AL-Lochdüse 10/2,0/20x0,8/7,0
11831020	10	0,8	7,0	2,0	40	AL-Lochdüse 10/2,0/40x0,8/7,0
11831221	12	0,8	7,0	2,0	30	AL-Lochdüse 12/2,0/30x0,8/7,0
11831220	12	0,8	7,0	2,0	40	AL-Lochdüse 12/2,0/40x0,8/7,0
11831320	13	0,8	7,0	2,0	30	AL-Lochdüse 13/2,0/30x0,8/7,0
11831420	14	0,8	7,0	2,0	45	AL-Lochdüse 14/2,0/45x0,8/7,0
11831520	15	0,8	7,0	2,0	45	AL-Lochdüse 15/2,0/45x0,8/7,0
11831620	16	0,8	7,0	2,0	69	AL-Lochdüse 16/2,0/69x0,8/7,0
11831820	18	0,8	7,0	2,0	97	AL-Lochdüse 18/2,0/97x0,8/7,0
11832020	20	0,8	7,0	2,0	97	AL-Lochdüse 20/2,0/97x0,8/7,0
11832220	22	0,8	8,0	2,0	97	AL-Lochdüse 22/2,0/97x0,8/8,0
11832420	24	0,8	8,0	2,0	149	AL-Lochdüse 24/2,0/149x0,8/8,0
11832520	25	0,8	8,0	2,0	149	AL-Lochdüse 25/2,0/149x0,8/8,0
11832620	26	0,8	8,0	2,0	149	AL-Lochdüse 26/2,0/149x0,8/8,0
11833020	30	0,8	8,0	2,0	149	AL-Lochdüse 30/2,0/149x0,8/8,0

andere Ausführungen auf Anfrage
other types upon request

nicht alles aus Lagerbeständen lieferbar
not all in stock, delivery time upon request



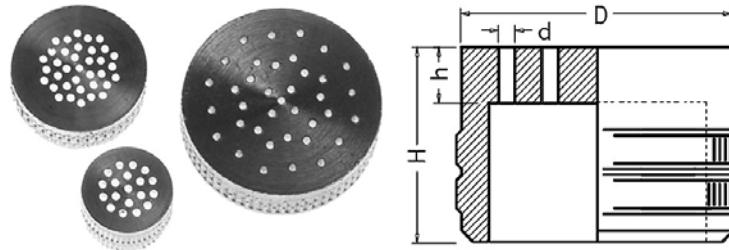
Peter Kröner GmbH
Kirchstr. 1h
D-56412 Stahlhofen
Telefon +49 (0) 2602 5278
Telefax +49 (0) 2602 17992
www.peter-kroener.de
sales@peter-kroener.de

Lochdüse / Core Vent with holes

Material Aluminium
Durchmesser / Diameter 2 - 30 mm
Bodenstärke / thickness 2,0 - 4,0 mm
Lochdurchmesser / hole diameter 0,8 mm

11.10.08.40

September 2016
Seite 2 von 2



Aluminum Core Vents / thickness 2,0 - 4,0 mm with holes 0,8 mm

Artikel-Nr. / #	D	d	H	h	Anz. Löcher	Beschreibung / description
11830240	2	0,8	7,0	4,0	1	AL-Lochdüse 2/4,0/1x0,8/7,0
11830340	3	0,8	7,0	4,0	1	AL-Lochdüse 3/4,0/1x0,8/7,0
11830440	4	0,8	7,0	4,0	4	AL-Lochdüse 4/4,0/4x0,8/7,0
11830540	5	0,8	7,0	4,0	6	AL-Lochdüse 5/4,0/6x0,8/7,0
11830640	6	0,8	7,0	4,0	7	AL-Lochdüse 6/4,0/7x0,8/7,0
11830840	8	0,8	7,0	4,0	14	AL-Lochdüse 8/4,0/14x0,8/7,0
11831041	10	0,8	7,0	4,0	20	AL-Lochdüse 10/4,0/20x0,8/7,0
11831040	10	0,8	7,0	4,0	40	AL-Lochdüse 10/4,0/40x0,8/7,0
11831241	12	0,8	7,0	4,0	30	AL-Lochdüse 12/4,0/30x0,8/7,0
11831240	12	0,8	7,0	4,0	40	AL-Lochdüse 12/4,0/40x0,8/7,0
11831340	13	0,8	7,0	4,0	30	AL-Lochdüse 13/4,0/30x0,8/7,0
11831440	14	0,8	7,0	4,0	45	AL-Lochdüse 14/4,0/45x0,8/7,0
11831540	15	0,8	7,0	4,0	45	AL-Lochdüse 15/4,0/45x0,8/7,0
11831640	16	0,8	7,0	4,0	69	AL-Lochdüse 16/4,0/69x0,8/7,0
11831840	18	0,8	7,0	4,0	97	AL-Lochdüse 18/4,0/97x0,8/7,0
11832040	20	0,8	7,0	4,0	97	AL-Lochdüse 20/4,0/97x0,8/7,0
11832240	22	0,8	8,0	4,0	97	AL-Lochdüse 22/4,0/97x0,8/8,0
11832440	24	0,8	8,0	4,0	149	AL-Lochdüse 24/4,0/149x0,8/8,0
11832540	25	0,8	8,0	4,0	149	AL-Lochdüse 25/4,0/149x0,8/8,0
11832640	26	0,8	8,0	4,0	149	AL-Lochdüse 26/4,0/149x0,8/8,0
11833040	30	0,8	8,0	4,0	149	AL-Lochdüse 30/4,0/149x0,8/8,0

andere Ausführungen auf Anfrage
other types upon request

nicht alles aus Lagerbeständen lieferbar
not all in stock, delivery time upon request



Peter Kröner GmbH
Kirchstr. 1h
D-56412 Stahlhofen
Telefon +49 (0) 2602 5278
Telefax +49 (0) 2602 17992
www.peter-kroener.de
sales@peter-kroener.de

Lochdüse / Core Vent with holes

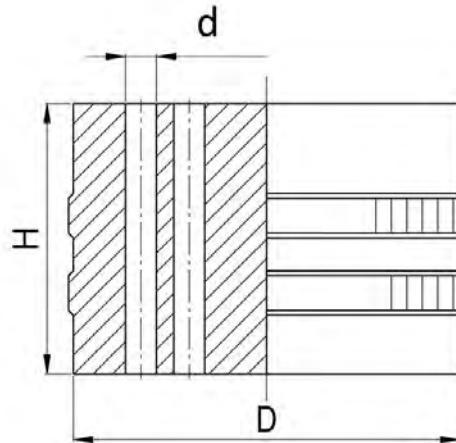
Material Aluminium
Durchmesser / Diameter 2 - 30 mm
Bodenstärke / thickness 7,0 - 8,0 mm
Lochdurchmesser / hole diameter 0,8 mm

11.10.08.70

September 2016



Abb. ähnlich



Aluminum Core Vents / thickness 7,0 - 8,0 mm with holes 0,8 mm

Artikel-Nr. / #	D	d	H	h	Anz. Löcher	Beschreibung / description
11830270	2	0,8	7,0	7,0	1	AL-Lochdüse 2/7,0/1x0,8/7,0
11830370	3	0,8	7,0	7,0	1	AL-Lochdüse 3/7,0/1x0,8/7,0
11830470	4	0,8	7,0	7,0	4	AL-Lochdüse 4/7,0/4x0,8/7,0
11830570	5	0,8	7,0	7,0	5	AL-Lochdüse 5/7,0/5x0,8/7,0
11830670	6	0,8	7,0	7,0	7	AL-Lochdüse 6/7,0/7x0,8/7,0
11830870	8	0,8	7,0	7,0	14	AL-Lochdüse 8/7,0/14x0,8/7,0
11831070	10	0,8	7,0	7,0	20	AL-Lochdüse 10/7,0/20x0,8/7,0
11831071	10	0,8	7,0	7,0	40	AL-Lochdüse 10/7,0/40x0,8/7,0
11831270	12	0,8	7,0	7,0	30	AL-Lochdüse 12/7,0/30x0,8/7,0
11831271	12	0,8	7,0	7,0	40	AL-Lochdüse 12/7,0/40x0,8/7,0
11831370	13	0,8	7,0	7,0	30	AL-Lochdüse 13/7,0/30x0,8/7,0
11831470	14	0,8	7,0	7,0	45	AL-Lochdüse 14/7,0/45x0,8/7,0
11831570	15	0,8	7,0	7,0	45	AL-Lochdüse 15/7,0/45x0,8/7,0
11831670	16	0,8	7,0	7,0	69	AL-Lochdüse 16/7,0/69x0,8/7,0
11831870	18	0,8	7,0	7,0	97	AL-Lochdüse 18/7,0/97x0,8/7,0
11832070	20	0,8	7,0	7,0	97	AL-Lochdüse 20/7,0/97x0,8/7,0
11832280	22	0,8	8,0	8,0	97	AL-Lochdüse 22/8,0/97x0,8/8,0
11832480	24	0,8	8,0	8,0	149	AL-Lochdüse 24/8,0/149x0,8/8,0
11832580	25	0,8	8,0	8,0	149	AL-Lochdüse 25/8,0/149x0,8/8,0
11832680	26	0,8	8,0	8,0	149	AL-Lochdüse 26/8,0/149x0,8/8,0
11833080	30	0,8	8,0	8,0	149	AL-Lochdüse 30/8,0/149x0,8/8,0

andere Ausführungen auf Anfrage
other types upon request

nicht alles aus Lagerbeständen lieferbar
not all in stock, delivery time upon request



Peter Kröner GmbH
Kirchstr. 1h
D-56412 Stahlhofen
Telefon +49 (0) 2602 5278
Telefax +49 (0) 2602 17992
www.peter-kroener.de
sales@peter-kroener.de

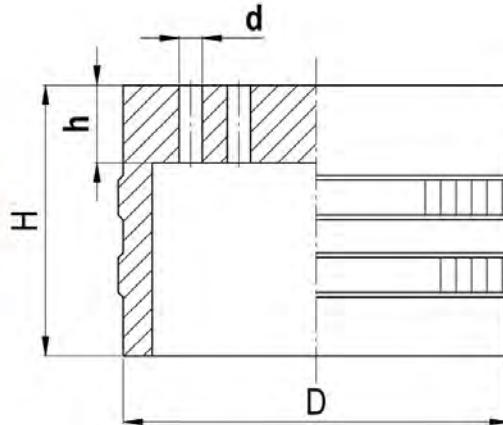
Lochdüse / Core Vent with holes

Material Aluminium
Durchmesser / Diameter 10 - 30 mm
Bodenstärke / thickness 2,0 - 4,0 mm
Lochdurchmesser / hole diameter 1,0 mm

11.10.10.20
September 2016



Abb. ähnlich



Aluminum Core Vents / thickness 2,0 - 4,0 mm with holes 1,0 mm

Artikel-Nr. / #	D	d	H	h	Anz. Löcher	Beschreibung / description
11131020	10	1,0	7,0	2,0	20	AL-Lochdüse 10/2,0/20x1,0/7,0
11131220	12	1,0	7,0	2,0	22	AL-Lochdüse 12/2,0/22x1,0/7,0
11131320	13	1,0	7,0	2,0	22	AL-Lochdüse 13/2,0/22x1,0/7,0
11131420	14	1,0	7,0	2,0	22	AL-Lochdüse 14/2,0/22x1,0/7,0
11131520	15	1,0	7,0	2,0	32	AL-Lochdüse 15/2,0/35x1,0/7,0
11131620	16	1,0	7,0	2,0	50	AL-Lochdüse 16/2,0/50x1,0/7,0
11131820	18	1,0	7,0	2,0	70	AL-Lochdüse 18/2,0/70x1,0/7,0
11132020	20	1,0	7,0	2,0	98	AL-Lochdüse 20/2,0/98x1,0/7,0
11132220	22	1,0	8,0	2,0	98	AL-Lochdüse 22/2,0/98x1,0/8,0
11132420	24	1,0	8,0	2,0	149	AL-Lochdüse 24/2,0/149x1,0/8,0
11132520	25	1,0	8,0	2,0	149	AL-Lochdüse 25/2,0/149x1,0/8,0
11132620	26	1,0	8,0	2,0	149	AL-Lochdüse 26/2,0/149x1,0/8,0
11133020	30	1,0	8,0	2,0	149	AL-Lochdüse 30/2,0/149x1,0/8,0
11131040	10	1,0	7,0	4,0	20	AL-Lochdüse 10/4,0/20x1,0/7,0
11131240	12	1,0	7,0	4,0	22	AL-Lochdüse 12/4,0/22x1,0/7,0
11131340	13	1,0	7,0	4,0	22	AL-Lochdüse 13/4,0/22x1,0/7,0
11131440	14	1,0	7,0	4,0	22	AL-Lochdüse 14/4,0/22x1,0/7,0
11131540	15	1,0	7,0	4,0	32	AL-Lochdüse 15/4,0/32x1,0/7,0
11131640	16	1,0	7,0	4,0	50	AL-Lochdüse 16/4,0/50x1,0/7,0
11131840	18	1,0	7,0	4,0	70	AL-Lochdüse 18/4,0/70x1,0/7,0
11132040	20	1,0	7,0	4,0	98	AL-Lochdüse 20/4,0/98x1,0/7,0
11132240	22	1,0	8,0	4,0	98	AL-Lochdüse 22/4,0/98x1,0/8,0
11132440	24	1,0	8,0	4,0	149	AL-Lochdüse 24/4,0/149x1,0/8,0
11132540	25	1,0	8,0	4,0	149	AL-Lochdüse 25/4,0/149x1,0/8,0
11132640	26	1,0	8,0	4,0	149	AL-Lochdüse 26/4,0/149x1,0/8,0
11133040	30	1,0	8,0	4,0	149	AL-Lochdüse 30/4,0/149x1,0/8,0

andere Ausführungen auf Anfrage
other types upon request

nicht alles aus Lagerbeständen lieferbar
not all in stock, delivery time upon request



Peter Kröner GmbH
Kirchstr. 1h
D-56412 Stahlhofen
Telefon +49 (0) 2602 5278
Telefax +49 (0) 2602 17992
www.peter-kroener.de
sales@peter-kroener.de

Lochdüse / Core Vent with holes

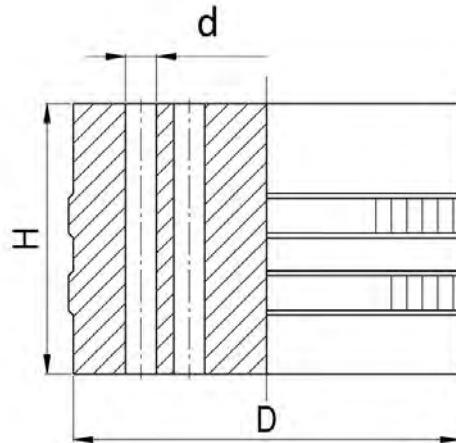
Material Aluminium
Durchmesser / Diameter 10 - 30 mm
Bodenstärke / thickness 7,0 - 8,0 mm
Lochdurchmesser / hole diameter 1,0 mm

11.10.10.70

September 2016



Abb. ähnlich



Aluminum Core Vents / thickness 7,0 - 8,0 mm with holes 1,0 mm

Artikel-Nr. / #	D	d	H	h	Anz. Löcher	Beschreibung / description
11131070	10	1,0	7,0	7,0	20	AL-Lochdüse 10/7,0/20x1,0/7,0
11131270	12	1,0	7,0	7,0	22	AL-Lochdüse 12/7,0/22x1,0/7,0
11131370	13	1,0	7,0	7,0	22	AL-Lochdüse 13/7,0/22x1,0/7,0
11131470	14	1,0	7,0	7,0	22	AL-Lochdüse 14/7,0/22x1,0/7,0
11131570	15	1,0	7,0	7,0	32	AL-Lochdüse 15/7,0/32x1,0/7,0
11131670	16	1,0	7,0	7,0	50	AL-Lochdüse 16/7,0/50x1,0/7,0
11131870	18	1,0	7,0	7,0	70	AL-Lochdüse 18/7,0/70x1,0/7,0
11132070	20	1,0	7,0	7,0	98	AL-Lochdüse 20/7,0/98x1,0/7,0
11132280	22	1,0	8,0	8,0	98	AL-Lochdüse 22/8,0/97x0,8/8,0
11132480	24	1,0	8,0	8,0	149	AL-Lochdüse 24/8,0/149x1,0/8,0
11132580	25	1,0	8,0	8,0	149	AL-Lochdüse 25/8,0/149x1,0/8,0
11132680	26	1,0	8,0	8,0	149	AL-Lochdüse 26/8,0/149x1,0/8,0
11133080	30	1,0	8,0	8,0	149	AL-Lochdüse 30/8,0/149x1,0/8,0

andere Ausführungen auf Anfrage
other types upon request

nicht alles aus Lagerbeständen lieferbar
not all in stock, delivery time upon request

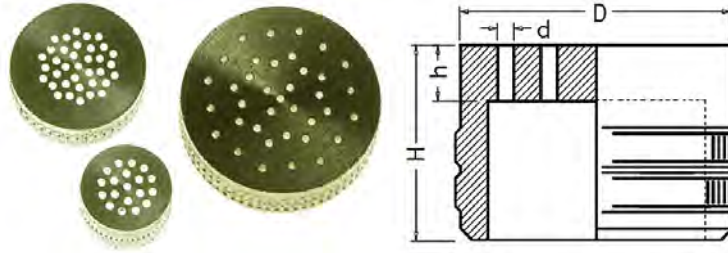


Peter Kröner GmbH
Kirchstr. 1h
D-56412 Stahlhofen
Telefon +49 (0) 2602 5278
Telefax +49 (0) 2602 17992
www.peter-kroener.de
sales@peter-kroener.de

Lochdüse / Core Vent with holes

Material Messing / Brass
Durchmesser / Diameter 2 - 16 mm
Bodenstärke / thickness 1,0 mm
Lochdurchmesser / hole diameter 0,5 mm

12.10.05.10
September 2016



Messing-Lochdüse 2 - 16 mm

Artikel-Nr. / #	D	d	H	h	Anz. Löcher	Beschreibung / description	PE
12530210	2	0,5	7,0	1,0	1	Messing-Lochdüse 2/1,0/1x0,5/7,0	100
12530310	3	0,5	7,0	1,0	1	Messing-Lochdüse 3/1,0/1x0,5/7,0	100
12530410	4	0,5	7,0	1,0	4	Messing-Lochdüse 4/1,0/4x0,5/7,0	100
12530510	5	0,5	7,0	1,0	8	Messing-Lochdüse 5/1,0/8x0,5/7,0	100
12530610	6	0,5	7,0	1,0	6	Messing-Lochdüse 6/1,0/6x0,5/7,0	100
12530611	6	0,5	7,0	1,0	12	Messing-Lochdüse 6/1,0/12x0,5/7,0	100
12530800	8	0,5	7,0	1,0	12	Messing-Lochdüse 8/1,0/12x0,5/7,0	100
12530811	8	0,5	7,0	1,0	20	Messing-Lochdüse 8/1,0/20x0,5/7,0	100
12531010	10	0,5	7,0	1,0	24	Messing-Lochdüse 10/1,0/24x0,5/7,0	100
12531011	10	0,5	7,0	1,0	36	Messing-Lochdüse 10/1,0/36x0,5/7,0	100
12531012	10	0,5	7,0	1,0	45	Messing-Lochdüse 10/1,0/45x0,5/7,0	100
12531211	12	0,5	7,0	1,0	36	Messing-Lochdüse 12/1,0/36x0,5/7,0	100
12531214	12	0,5	7,0	1,0	65	Messing-Lochdüse 12/1,0/65x0,5/7,0	100
12531311	13	0,5	7,0	1,0	36	Messing-Lochdüse 13/1,0/36x0,5/7,0	100
12531314	13	0,5	7,0	1,0	65	Messing-Lochdüse 13/1,0/65x0,5/7,0	100
12531411	14	0,5	7,0	1,0	36	Messing-Lochdüse 14/1,0/36x0,5/7,0	100
12531414	14	0,5	7,0	1,0	65	Messing-Lochdüse 14/1,0/65x0,5/7,0	100
12531512	15	0,5	7,0	1,0	45	Messing-Lochdüse 15/1,0/45x0,5/7,0	100
12531514	15	0,5	7,0	1,0	100	Messing-Lochdüse 15/1,0/100x0,5/7,0	100
12531612	16	0,5	7,0	1,0	65	Messing-Lochdüse 16/1,0/65x0,5/7,0	100
12531614	16	0,5	7,0	1,0	100	Messing-Lochdüse 16/1,0/100x0,5/7,0	100

andere Ausführungen auf Anfrage
other types upon request

nicht alles aus Lagerbeständen lieferbar
not all in stock, delivery time upon request

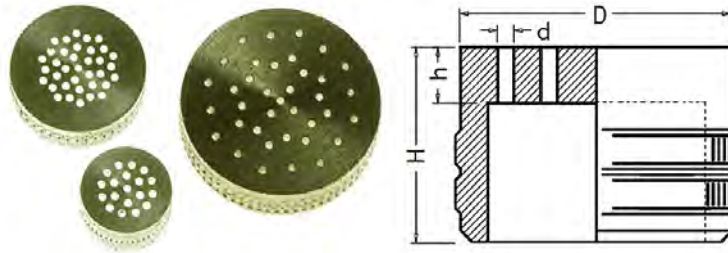


Peter Kröner GmbH
Kirchstr. 1h
D-56412 Stahlhofen
Telefon +49 (0) 2602 5278
Telefax +49 (0) 2602 17992
www.peter-kroener.de
sales@peter-kroener.de

Lochdüse / Core Vent with holes

Material Messing / Brass
Durchmesser / Diameter 2 - 30 mm
Bodenstärke / thickness 2,0 mm
Lochdurchmesser / hole diameter 0,5 mm

12.10.05.20
September 2016



Messing-Lochdüsen 2 - 30 mm

Artikel-Nr. / #	D	d	H	h	Anz. Löcher	Beschreibung / description	PE
12530220	2	0,5	7,0	2,0	1	Messing-Lochdüse 2/2,0/1x0,5/7,0	100
12530320	3	0,5	7,0	2,0	1	Messing-Lochdüse 3/2,0/1x0,5/7,0	100
12530420	4	0,5	7,0	2,0	4	Messing-Lochdüse 4/2,0/4x0,5/7,0	100
12530521	5	0,5	7,0	2,0	8	Messing-Lochdüse 5/2,0/8x0,5/7,0	100
12530620	6	0,5	7,0	2,0	6	Messing-Lochdüse 6/2,0/6x0,5/7,0	100
12530621	6	0,5	7,0	2,0	12	Messing-Lochdüse 6/2,0/12x0,5/7,0	100
12530820	8	0,5	7,0	2,0	12	Messing-Lochdüse 8/2,0/12x0,5/7,0	100
12530821	8	0,5	7,0	2,0	20	Messing-Lochdüse 8/2,0/20x0,5/7,0	100
12531020	10	0,5	7,0	2,0	20	Messing-Lochdüse 10/2,0/20x0,5/7,0	100
12531021	10	0,5	7,0	2,0	36	Messing-Lochdüse 10/2,0/36x0,5/7,0	100
12531022	10	0,5	7,0	2,0	45	Messing-Lochdüse 10/2,0/45x0,5/7,0	100
12531221	12	0,5	7,0	2,0	36	Messing-Lochdüse 12/2,0/36x0,5/7,0	100
12531224	12	0,5	7,0	2,0	65	Messing-Lochdüse 12/2,0/65x0,5/7,0	100
12531321	13	0,5	7,0	2,0	36	Messing-Lochdüse 13/2,0/36x0,5/7,0	100
12531324	13	0,5	7,0	2,0	65	Messing-Lochdüse 13/2,0/65x0,5/7,0	100
12531421	14	0,5	7,0	2,0	36	Messing-Lochdüse 14/2,0/36x0,5/7,0	100
12531424	14	0,5	7,0	2,0	65	Messing-Lochdüse 14/2,0/65x0,5/7,0	100
12531522	15	0,5	7,0	2,0	45	Messing-Lochdüse 15/2,0/45x0,5/7,0	100
12531524	15	0,5	7,0	2,0	100	Messing-Lochdüse 15/2,0/100x0,5/7,0	100
12531622	16	0,5	7,0	2,0	65	Messing-Lochdüse 16/2,0/65x0,5/7,0	100
12531624	16	0,5	7,0	2,0	100	Messing-Lochdüse 16/2,0/100x0,5/7,0	100
12531822	18	0,5	7,0	2,0	65	Messing-Lochdüse 18/2,0/65x0,5/7,0	100
12531824	18	0,5	7,0	2,0	100	Messing-Lochdüse 18/2,0/100x0,5/7,0	100
12532022	20	0,5	7,0	2,0	100	Messing-Lochdüse 20/2,0/100x0,5/7,0	50
12532024	20	0,5	7,0	2,0	180	Messing-Lochdüse 20/2,0/180x0,5/7,0	50
12532220	22	0,5	8,0	2,0	100	Messing-Lochdüse 22/2,0/100x0,5/8,0	50
12532221	22	0,5	8,0	2,0	180	Messing-Lochdüse 22/2,0/180x0,5/8,0	50
12532420	24	0,5	8,0	2,0	100	Messing-Lochdüse 24/2,0/100x0,5/8,0	10
12532421	24	0,5	8,0	2,0	180	Messing-Lochdüse 24/2,0/180x0,5/8,0	10
12532520	25	0,5	8,0	2,0	100	Messing-Lochdüse 25/2,0/100x0,5/8,0	10
12532521	25	0,5	8,0	2,0	180	Messing-Lochdüse 25/2,0/180x0,5/8,0	10
12532620	26	0,5	8,0	2,0	100	Messing-Lochdüse 26/2,0/100x0,5/8,0	10
12532621	26	0,5	8,0	2,0	180	Messing-Lochdüse 26/2,0/180x0,5/8,0	10
12533020	30	0,5	8,0	2,0	100	Messing-Lochdüse 30/2,0/100x0,5/8,0	10
12533021	30	0,5	8,0	2,0	180	Messing-Lochdüse 30/2,0/180x0,5/8,0	10

andere Ausführungen auf Anfrage
other types upon request

nicht alles aus Lagerbeständen lieferbar
not all in stock, delivery time upon request

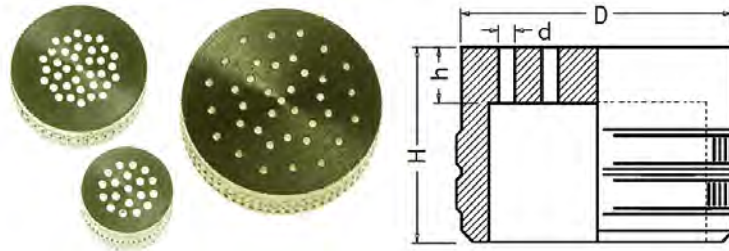


Peter Kröner GmbH
Kirchstr. 1h
D-56412 Stahlhofen
Telefon +49 (0) 2602 5278
Telefax +49 (0) 2602 17992
www.peter-kroener.de
sales@peter-kroener.de

Lochdüse / Core Vent with holes

Material Messing / Brass
Durchmesser / Diameter 2 - 30 mm
Bodenstärke / thickness 2,0 - 4,0 mm
Lochdurchmesser / hole diameter 0,8 mm

12.10.08.40
September 2016



Messing-Lochdüse 2 - 30 mm

Artikel-Nr. / #	D	d	H	h	Anz. Löcher	Beschreibung / description	PE
12830220	2	0,8	7,0	2,0	1	Messing-Lochdüse 2/2,0/1x0,8/7,0	100
12830320	3	0,8	7,0	2,0	1	Messing-Lochdüse 3/2,0/1x0,8/7,0	100
12830420	4	0,8	7,0	2,0	4	Messing-Lochdüse 4/2,0/4x0,8/7,0	100
12830520	5	0,8	7,0	2,0	5	Messing-Lochdüse 5/2,0/5x0,8/7,0	100
12830620	6	0,8	7,0	2,0	6	Messing-Lochdüse 6/2,0/6x0,8/7,0	100
12830820	8	0,8	7,0	2,0	12	Messing-Lochdüse 8/2,0/12x0,8/7,0	100
12831021	10	0,8	7,0	2,0	20	Messing-Lochdüse 10/2,0/20x0,8/7,0	100
12831020	10	0,8	7,0	2,0	32	Messing-Lochdüse 10/2,0/32x0,8/7,0	100
12831220	12	0,8	7,0	2,0	30	Messing-Lochdüse 12/2,0/30x0,8/7,0	100
12831320	13	0,8	7,0	2,0	30	Messing-Lochdüse 13/2,0/30x0,8/7,0	100
12831420	14	0,8	7,0	2,0	45	Messing-Lochdüse 14/2,0/45x0,8/7,0	100
12831520	15	0,8	7,0	2,0	45	Messing-Lochdüse 15/2,0/45x0,8/7,0	100
12831620	16	0,8	7,0	2,0	69	Messing-Lochdüse 16/2,0/69x0,8/7,0	100
12831820	18	0,8	7,0	2,0	97	Messing-Lochdüse 18/2,0/97x0,8/7,0	100
12832020	20	0,8	7,0	2,0	97	Messing-Lochdüse 20/2,0/97x0,8/7,0	50
12832220	22	0,8	8,0	2,0	97	Messing-Lochdüse 22/2,0/97x0,8/8,0	25
12832420	24	0,8	8,0	2,0	149	Messing-Lochdüse 24/2,0/149x0,8/8,0	25
12832520	25	0,8	8,0	2,0	149	Messing-Lochdüse 25/2,0/149x0,8/8,0	25
12832620	26	0,8	8,0	2,0	149	Messing-Lochdüse 26/2,0/149x0,8/8,0	25
12833020	30	0,8	8,0	2,0	149	Messing-Lochdüse 30/2,0/149x0,8/8,0	10
12830240	2	0,8	7,0	4,0	1	Messing-Lochdüse 2/4,0/1x0,8/7,0	100
12830340	3	0,8	7,0	4,0	1	Messing-Lochdüse 3/4,0/1x0,8/7,0	100
12830440	4	0,8	7,0	4,0	4	Messing-Lochdüse 4/4,0/4x0,8/7,0	100
12830540	5	0,8	7,0	4,0	5	Messing-Lochdüse 5/4,0/5x0,8/7,0	100
12830640	6	0,8	7,0	4,0	6	Messing-Lochdüse 6/4,0/6x0,8/7,0	100
12830840	8	0,8	7,0	4,0	12	Messing-Lochdüse 8/4,0/12x0,8/7,0	100
12831041	10	0,8	7,0	4,0	20	Messing-Lochdüse 10/4,0/20x0,8/7,0	100
12831040	10	0,8	7,0	4,0	32	Messing-Lochdüse 10/4,0/32x0,8/7,0	100
12831240	12	0,8	7,0	4,0	30	Messing-Lochdüse 12/4,0/30x0,8/7,0	100
12831340	13	0,8	7,0	4,0	30	Messing-Lochdüse 13/4,0/30x0,8/7,0	100
12831440	14	0,8	7,0	4,0	45	Messing-Lochdüse 14/4,0/45x0,8/7,0	100
12831540	15	0,8	7,0	4,0	45	Messing-Lochdüse 15/4,0/45x0,8/7,0	100
12831640	16	0,8	7,0	4,0	69	Messing-Lochdüse 16/4,0/69x0,8/7,0	100
12831840	18	0,8	7,0	4,0	97	Messing-Lochdüse 18/4,0/97x0,8/7,0	100
12832040	20	0,8	7,0	4,0	97	Messing-Lochdüse 20/4,0/97x0,8/7,0	50
12832240	22	0,8	8,0	4,0	97	Messing-Lochdüse 22/4,0/97x0,8/8,0	25
12832440	24	0,8	8,0	4,0	149	Messing-Lochdüse 24/4,0/149x0,8/8,0	25
12832540	25	0,8	8,0	4,0	149	Messing-Lochdüse 25/4,0/149x0,8/8,0	25
12832640	26	0,8	8,0	4,0	149	Messing-Lochdüse 26/4,0/149x0,8/8,0	25
12833040	30	0,8	8,0	4,0	149	Messing-Lochdüse 30/4,0/149x0,8/8,0	10

andere Ausführungen auf Anfrage
other types upon request

nicht alles aus Lagerbeständen lieferbar
not all in stock, delivery time upon request



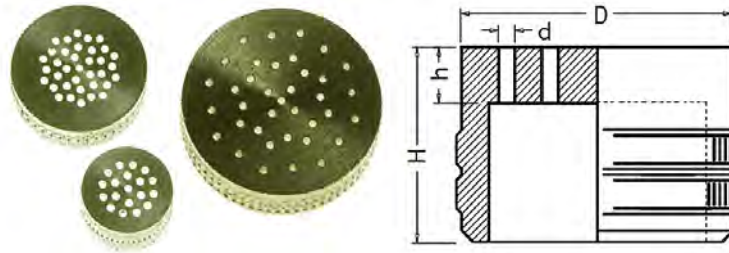
Peter Kröner GmbH
Kirchstr. 1h
D-56412 Stahlhofen
Telefon +49 (0) 2602 5278
Telefax +49 (0) 2602 17992
www.peter-kroener.de
sales@peter-kroener.de

Lochdüse / Core Vent with holes

Material Messing / Brass
Durchmesser / Diameter 2 - 15 mm
Bodenstärke / thickness 1,0 mm
Lochdurchmesser / hole diameter 0,8 - 1,0 mm

12.10.10.00

September 2016



Messing-Lochdüsen 2 - 15 mm

Artikel-Nr. / #	D	d	H	h	Anz. Löcher	Beschreibung / description	PE
12830401	4	0,8	5,5	1,0	4	Messing-Lochdüse 4/4x0,8/5,5	1000
12830501	5	0,8	5,5	1,0	5	Messing-Lochdüse 5/5x0,8/5,5	1000
12830801	8	0,8	5,5	1,0	12	Messing-Lochdüse 8/12x0,8/5,5	1000
12831003	10	0,8	5,5	1,0	19	Messing-Lochdüse 10/19x0,8/5,5	1000
12831203	12	0,8	5,5	1,0	22	Messing-Lochdüse 12/22x0,8/5,5	1000
12831303	13	0,8	5,5	1,0	22	Messing-Lochdüse 13/22x0,8/5,5	1000
12831503	15	0,8	5,5	1,0	30	Messing-Lochdüse 15/30x0,8/5,5	500
12830200	2	0,8	7,0	1,0	1	Messing-Lochdüse 2/1x0,8/7,0	1000
12830300	3	0,8	7,0	1,0	1	Messing-Lochdüse 3/1x0,8/7,0	1000
12830400	4	0,8	7,0	1,0	4	Messing-Lochdüse 4/1x0,8/7,0	1000
12830500	5	0,8	7,0	1,0	5	Messing-Lochdüse 5/5x0,8/7,0	1000
12830600	6	0,8	7,0	1,0	6	Messing-Lochdüse 6/6x0,8/7,0	1000
12830800	8	0,8	7,0	1,0	12	Messing-Lochdüse 8/12x0,8/7,0	1000
12831001	10	0,8	7,0	1,0	19	Messing-Lochdüse 10/19x0,8/7,0	1000
12831201	12	0,8	7,0	1,0	22	Messing-Lochdüse 12/22x0,8/7,0	500
12831301	13	0,8	7,0	1,0	22	Messing-Lochdüse 13/22x0,8/7,0	500
12831501	15	0,8	7,0	1,0	30	Messing-Lochdüse 15/30x0,8/7,0	500
12131001	10	1,0	5,5	1,0	19	Messing-Lochdüse 10/19x1,0/5,5	1000
12131201	12	1,0	5,5	1,0	22	Messing-Lochdüse 12/22x1,0/5,5	1000
12131301	13	1,0	5,5	1,0	22	Messing-Lochdüse 13/22x1,0/5,5	1000
12131501	15	1,0	5,5	1,0	30	Messing-Lochdüse 15/30x1,0/5,5	500
12131002	10	1,0	7,0	1,0	19	Messing-Lochdüse 10/19x1,0/7,0	1000
12131202	12	1,0	7,0	1,0	22	Messing-Lochdüse 12/22x1,0/7,0	500
12131302	13	1,0	7,0	1,0	22	Messing-Lochdüse 13/22x1,0/7,0	500
12131502	15	1,0	7,0	1,0	30	Messing-Lochdüse 15/30x1,0/7,0	500

andere Ausführungen auf Anfrage
other types upon request

nicht alles aus Lagerbeständen lieferbar
not all in stock, delivery time upon request